

Data Sheet no. 3.21/3

Charging and Control Unit, Types GES/GEOS, for Impulse Voltage Test Systems

The charging and control unit GES/GEOS, together with the operating device BG 5I (Data Sheet 3.53) or BG 6 (Data Sheet 7.32) is the basic requirement for operating an impulse voltage test generator.

The necessary components which are used for charging and controlling the test generator are combined in one unit. The charging and control unit contains a cubicle, the high voltage transformer and rectifier elements. In the switching cubicle amongst others the thyristor controller and the programmable logic controllers type SIMATIC are installed.

This design and especially the application of fibre optic cables guarantee an interference-free operation even in a noisy environment of the test generator.

Depending on the line of test generator (Data Sheets 3.11; 3.12; 1.13) the stage power and the number of stages of the impulse generators different charging and operating units GES/GEOS are used (Fig. 1 and 2).

For the open version (Fig. 1), the polarity change of the charging voltage can be accomplished either manually or on request with the help of a motor. The versions in an oil vessel (Fig. 2) are always equipped with a motor drive for the polarity change.

The charging and operating units GES .../100 are equipped with wheels. The charging and operating units GEOS .../2 x 100 are normally mounted on the base frame of the impulse generator.

Charging and control units for impulse current test systems by special request.

Table 1

Type	Line of test generator	Stage voltage kV	max. charging energy /kJ	Charging current mA	Insulating medium	Length L/mm	Width B/mm	Height H/mm	Weight kg	feeding V 50/60Hz
GES 30/100	L	100	67.5	30	Air	1375	930	1035	285	230
GES 60/100	M	100	120	60	Air	1375	930	1275	380	400
GES 150/100	M	100	250	150	Air	1364	945	1505	450	400
GEOS 50/2x100	G	2 x 100	200	50	Oil	1445	1660	1100	940	400
GEOS 100/2x100	G	2 x 100	400	100	Oil	1530	1770	1310	1300	400
GEOS 200/2x100	G	2 x 100	750	200	Oil	1530	1770	1310	1500	400
GEOS 30/135	special application	130	-	30	Oil	2225	800	1105	825	230
GEOS 60/200		200	160	60	Oil	2180	1000	1775	2400	400

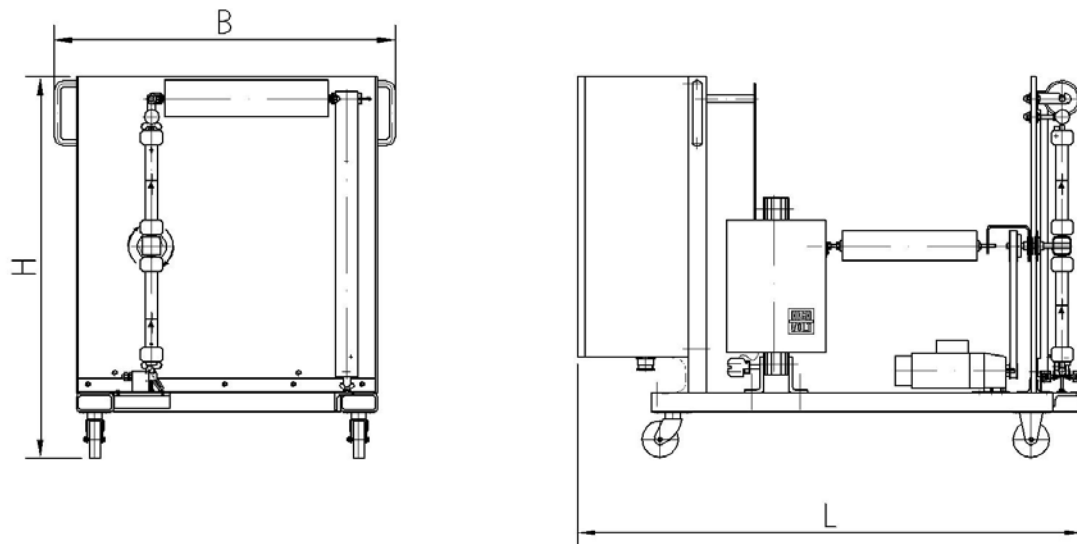


Fig. 1: charging and control units, types GES .../100

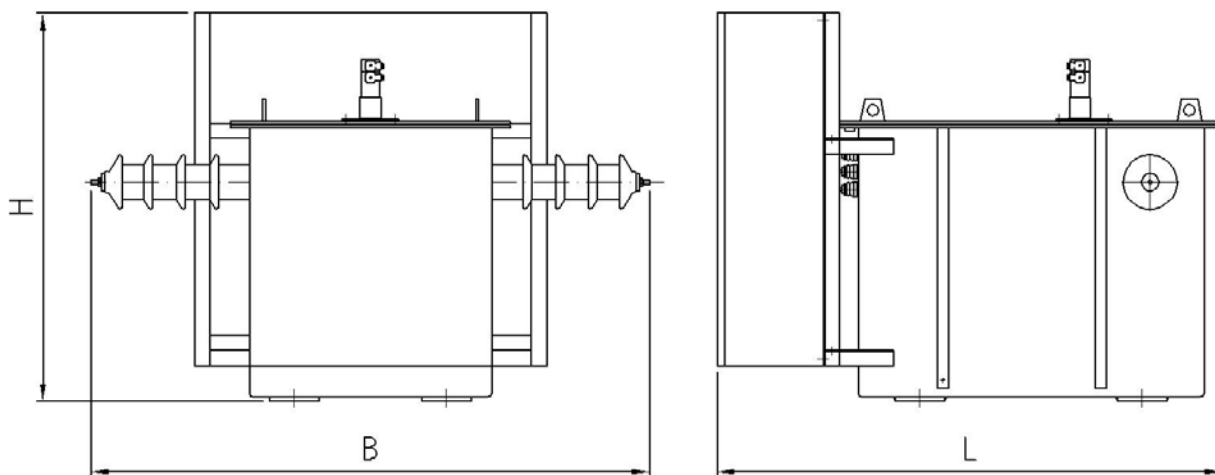


Fig. 2: charging and control units, types GEOS .../2x100

Dimension Drawings for charging and control units types GEOS 30/135 and GEOS 60/200 by special request.

For further information please contact:

or our local representative:

HIGHVOLT Prüftechnik Dresden GmbH
Marie-Curie-Strasse 10

D-01139 Dresden / Germany
Tel. ++49 351 8425-648
Fax ++49 351 8425 679
e-mail dresden@highvolt.de
internet http:\\www.highvolt.de