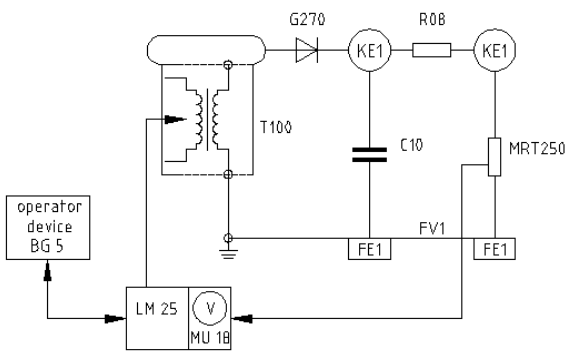


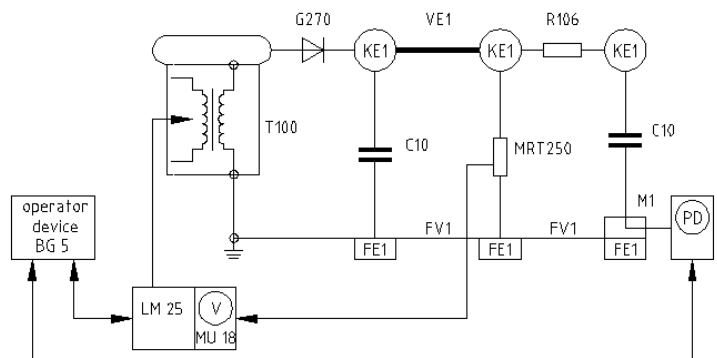
Data Sheet no. 4.0-2/8

Standard Variations of DC Module Systems

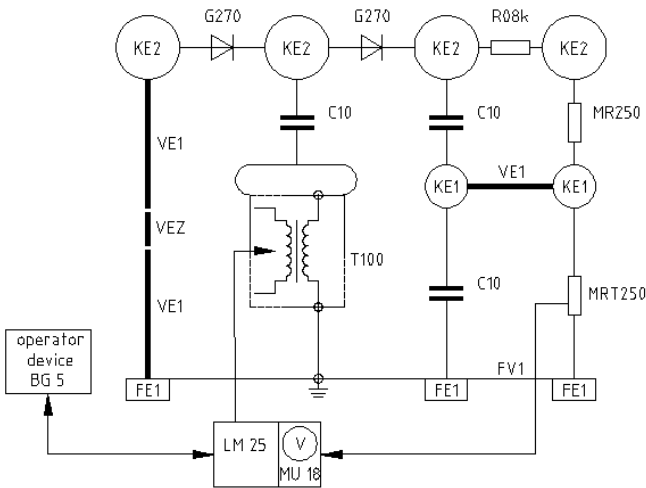
Arrangement of Modules:



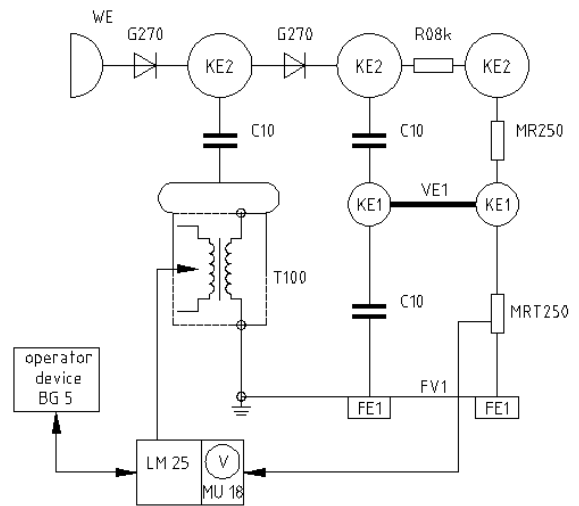
GBS 26/135



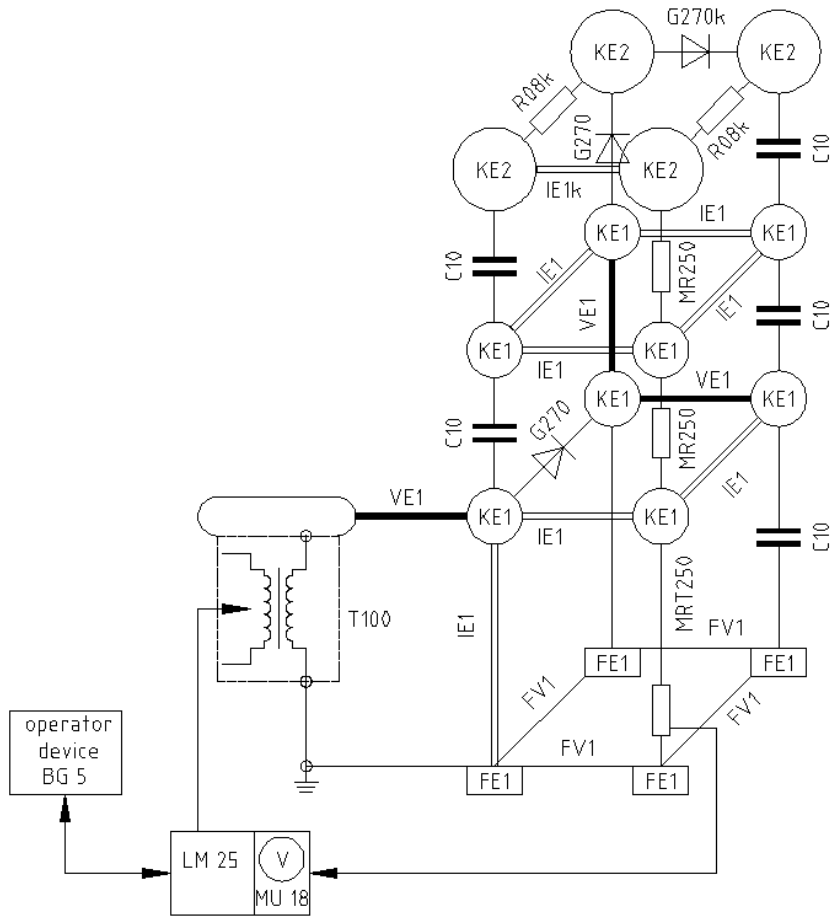
GBS 26/135 TE



GBS 13/270 V1



GBS 13/270 V2



GBS 10/350

Technical Data:

Type code	Rated voltage neg./pos. kV	Rated current (continuous) mA	PD-Intensity pC
GBS 26/135	135/135	26	≤ 2
GBS 26/135 TE ¹⁾	135/135	26	≤ 2
GBS 13/270 V1	270/270	13	
GBS 13/270 V2	270/270	13	
GBS 10/350	350/300	10	

General climatic conditions: temperature 5 to 40°C, relative humidity ≤ 90 % at altitude ≤ 1000 m, indoor operation

Number of Modules for Standard Type:

			GBS				
Module		Data sheet	26/135	26/135TE	13/270 V1	13/270 V2	10/350
Basic Control including Operator device (BG 5M)	BC 5M	1.52 4.23	1	1	1	1	1
Power module including Peak voltmeter (MU18)	LM 25	4.26	1	1	1	1	1
Test transformer	T 100	4.5	1	1	1	1	1
Capacitor	C 10	4.6	1	2	3	3	5
Rectifier	G 270	4.7	1	1	2	2	2
	G 270 K	4.7					1
Resistor	R 08	4.8					
	R 08 K	4.8			1	1	2
	R 106	4.8	1	1			
Measuring resistor	MR 250	4.8			1	1	2
Resistive divider	MRT 250	4.8	1	1	1	1	1
Connecting element	VE 1	4.9	1	1	3	1	3
	VEZ	4.9			1		
Insulating element	IE 1	4.9					8
	IE 1K	4.9					1
Junction element	KE 1	4.10	2	3	2	2	8
	KE 2	4.10			4	3	4
Base element	FE 1	4.10	2	3	3	2	4
Base connecting element	FV 1	4.10	1	2	1	1	4
Wall element	WE	4.10				1	
Measuring connection	M 1	4.27		1			
Discharging rod	ES 1	4.11	1	1	1	1	1
	ERS 1	4.11	1	1			
	ERS 2	4.11			1	1	1

Options:

Breakdown detection unit	BDC 1	1.57	
Secondary current measurement	MI 11 G	2.58	
Manual control and power module	SG 25	4.24	alternative to basic control (BC 5M) and power module (LM 25)
Peak voltmeter	MU 17	5.56	in version with SG 25 or at separate order
Computer control	CMS 22M	1.52	IPC and BG 6
	CMS 23M	1.52	Advanced computer control (IPC and BG 5M)
Operator Rack	OR 130 OR 170	7.31	for housing of operator device, IPC and measuring devices delivered as plug in unit
Discharging device	ERE 150	4.11	at separate order
Storage trolley	LW	4.10	

1) The PD-measuring device must be ordered separately.

For further information please contact:

or our local representative:

HIGHVOLT Prüftechnik Dresden GmbH
Marie-Curie-Strasse 10
D-01139 Dresden / Germany

Tel. +49 351 8425 648
Fax +49 351 8425 679
e-mail dresden@highvolt.de
webseite <http://www.highvolt.de>