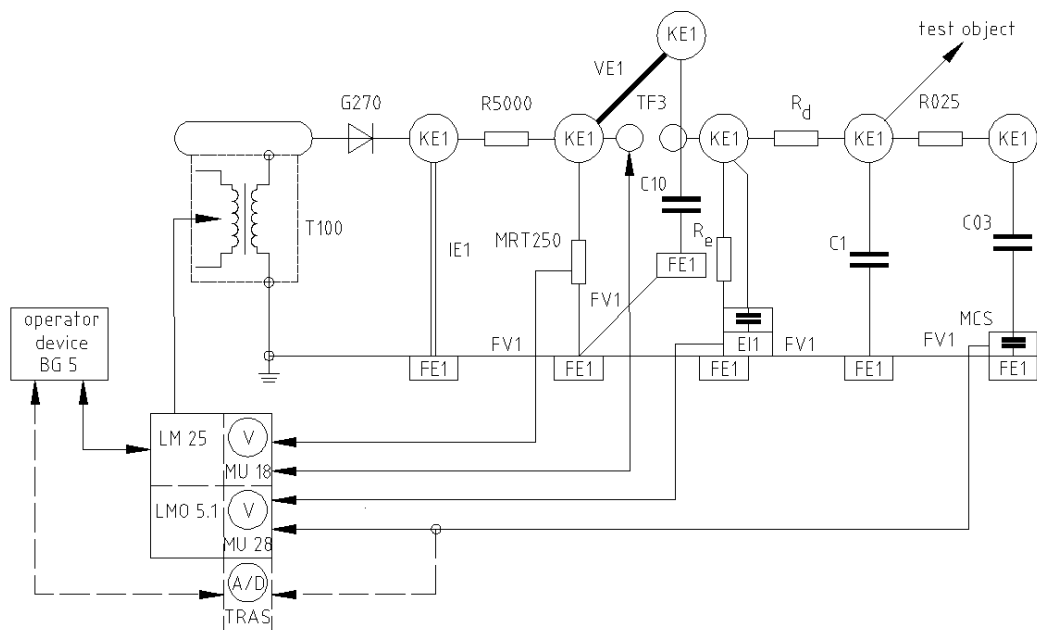


Data Sheet no. 4.0-4/9

Impulse Voltage Module Systems

Arrangement of Modules



Technical Data

SBS 0.1/135		
Rated charging voltage	kV	135
Impulse capacitance	nF	10
Rated impulse energy	kJ	0,1
Minimum time difference between impulses at rated voltage	s	10
Standard impulse shape:		
Lightning impulse voltage 1.2/50	kV	110
at max. capacity of test object	nF	0.9
Delay time for impulse 1.2/50	µs	1
Switching impulse voltage 250/2500	kV	100
at max. capacity of test object	nF	0.7
Delay time for impulse 250/2500	µs	100

General climatic conditions: temperature 5 to 40 °C, relative humidity ≤ 90 % at altitude ≤ 1000 m, indoor operation

Number of Modules for Standard System

			SBS
Module		Data Sheet	0.1/135
Basic Control module including operator device (BG 5M)	BC 5M	1.52 4.23	1
Power module including Peak Voltmeter (MU18)	LM 25	4.26	1
Impulse voltage extension	LMO 5.1	4.26	1
Test transformer	T 100	4.5	1
Capacitor	C 10	4.6	1
	C 1	4.6	1
	C 03	4.6	1
Rectifier	G 270	4.7	1
Resistor Rd 1.2/50	R 03	4.8	1
Rd 250/2500	R 45	4.8	1
Re 1.5/50	R 6	4.8	1
Re 250/2500	R 280	4.8	1
Resistor	R 025	4.8	1
Charging resistor	R 5000	4.8	1
Resistive divider	MRT 250	4.8	1
Connecting element	VE 1	4.9	1
Insulating element	IE 1	4.9	1
Junction element	KE 1	4.10	6
Base element	FE 1	4.10	6
Base connecting element	FV 1	4.10	4
Earthing rod	ES 1	4.11	1
	ERS 1	4.11	1
LV measuring branch	MCS	4.27	1
Impulse registration with coupling capacitor	EI 1	4.27	1
Trigger spark gap	TF 3	4.13	1

Options

Impulse voltage measurement	MU 28	5.57	
Digital Impulse Analyzer	MIAS	5.60	alternative to MU 28
Computer control	CMS 22M	1.52	IPC and BG 6
	CMS 23M	1.52	Advanced computer control (IPC and BG 5M)
Operator Rack	OR 130 OR 170	7.31	for housing of operator device, IPC and measuring devices delivered as plug in unit
Discharging device	ERE 150	4.11	at separate order
Storage trolley	LW	4.10	

For further information please contact:

or our local representative:

HIGHVOLT Prüftechnik Dresden GmbH
Marie-Curie-Strasse 10
D-01139 Dresden / Germany

Tel. +49 351 8425-648
Fax +49 351 8425-679
e-mail dresden@highvolt.de
website <http://www.highvolt.de>