

Data Sheet no. 7.71/3

Oil-Insulated Cable Terminations 75 and 100 kV, Types EKP

Design

The oil-insulated cable end test termination serves for HV withstand and partial discharge (PD) testing of plastic-insulated medium voltage cables both single-core and three-core cables.

The system is designed for indoor use and movable application within the test field.

The test system consists mainly of:

Item	Piece	Designation	EKP 75	EKP 100
1	2	Oil cup termination - rated voltage: - PD level: at 30 kV at 50 kV at 75 kV at 100 kV - insulating liquid: standard transformer oil (excluded in scope of supply) - weight: (without oil) - peeling length: (approx.) - operating position:	75 kV < 1 pC < 2 pC < 5 pC -	100 kV < 1 pC < 2 pC < 2 pC < 5 pC*
			appr. 28 l	appr. 35 l
			63 kg	87 kg
			690 mm	890 mm
			45° on horizontal	
2	4	Adapter for contacting of cable conductors with HV electrodes of oil cups (item 1) - range of conductor cross section:	35 mm ² to 2000 mm ² * for 35 mm ² to 200 mm ² only	

Please see following pictures for more details.

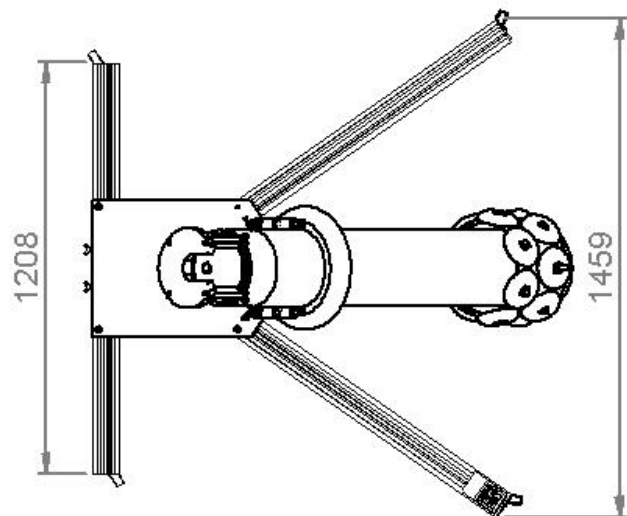
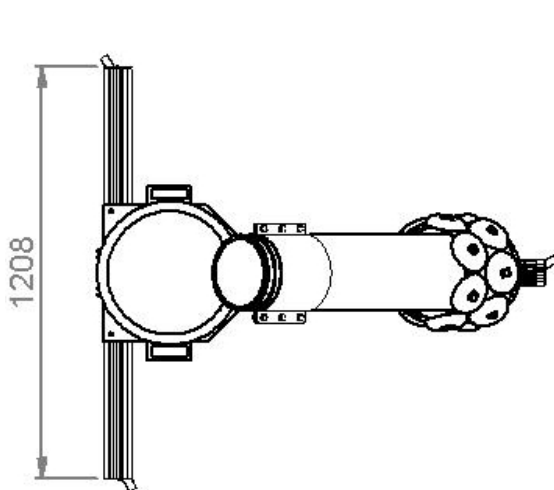
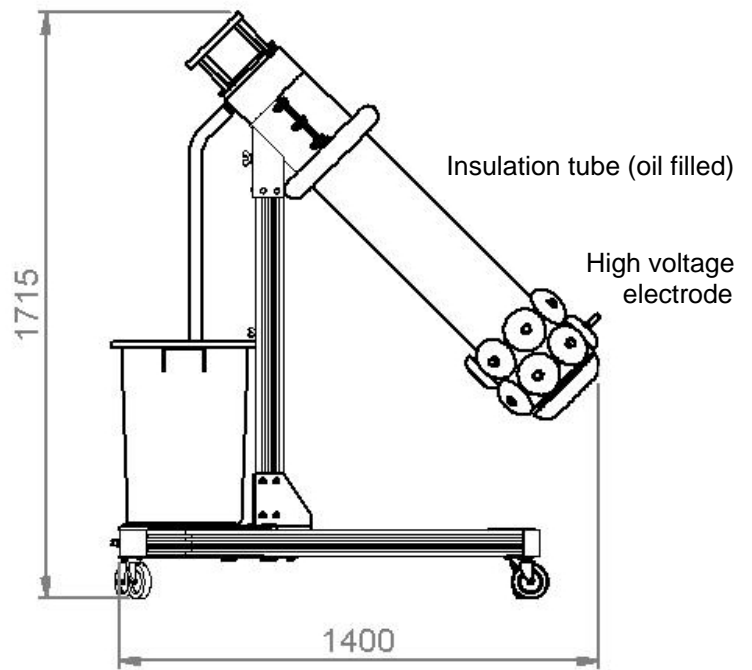
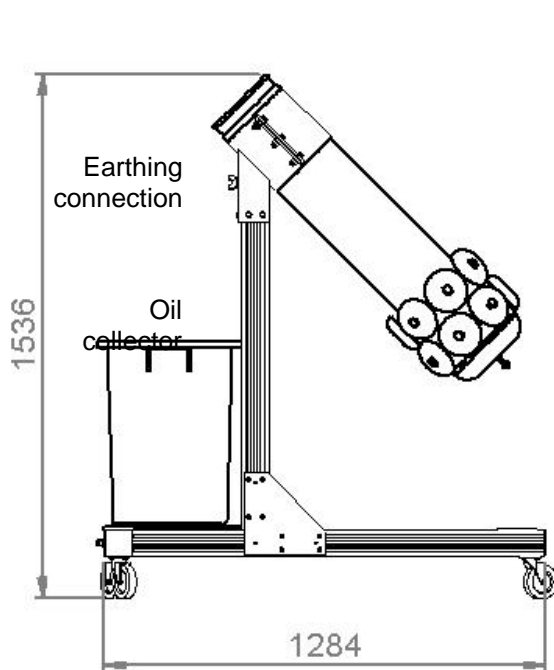
We reserve the right to introduce minor modifications for further improvement and development of the test system.

Oil cup (item 1)

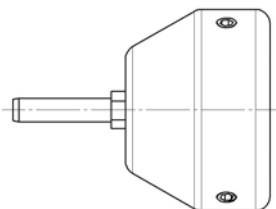
EKP 75

Cable ingoing (inner diameter approx. 200 mm)

EKP 100



Adapter (item 2)



For further information please contact:

or our local representative:

HIGHVOLT Prüftechnik Dresden GmbH
Marie-Curie-Strasse 10

D-01139 Dresden / Germany

Tel. ++49 351 8425-648
Fax ++49 351 8425-679
e-mail dresden@highvolt.de
website <http://www.highvolt.de>