

Data Sheet 3.63/2

## Chopping Spark Gaps, Type AFS

### Application

Chopping spark gaps type AFS can be used for chopping of impulse voltages between 20 kV and 500 kV. The chopping can be realized at the front or at the tail of the impulse.

### Design

The chopping spark gaps type AFS consists of GFR column, a movable basic frame with wheels and electrodes. The adjustment of the gap space is effected by a motor drive. The motor drive is controlled by keyswitches from the control device. The triggering signal from the control is transmitted to the ignition generator (see Data Sheet 3.18) of the spark gap via a fiber-optic link.

Table 1: General parameters and conditions

Duty cycle		continuous operation
Operating conditions:		
Ambient temperature	°C	0 ... 40
Relative humidity	%	≤ 90
Height above sea level	m	≤ 1000
Installation		indoor
Reference atmospheric conditions (according to IEC 60060-1: 2010):		
Absolute pressure	hPa	1013
Temperature	°C	20
Absolute humidity	g/m <sup>3</sup>	11

Table 2: Technical Parameters

Type	Max. chopping voltage	Related to impulse generator	Height H	Length x Width L x B	Diameter of electrodes K	Weight
	kV	kV	mm	mm x mm	mm	kg
AFS 300/300	300	300	1580	800 x 500	300	75
AFS 500/550	550	600	1870	1250 x 600	500	120

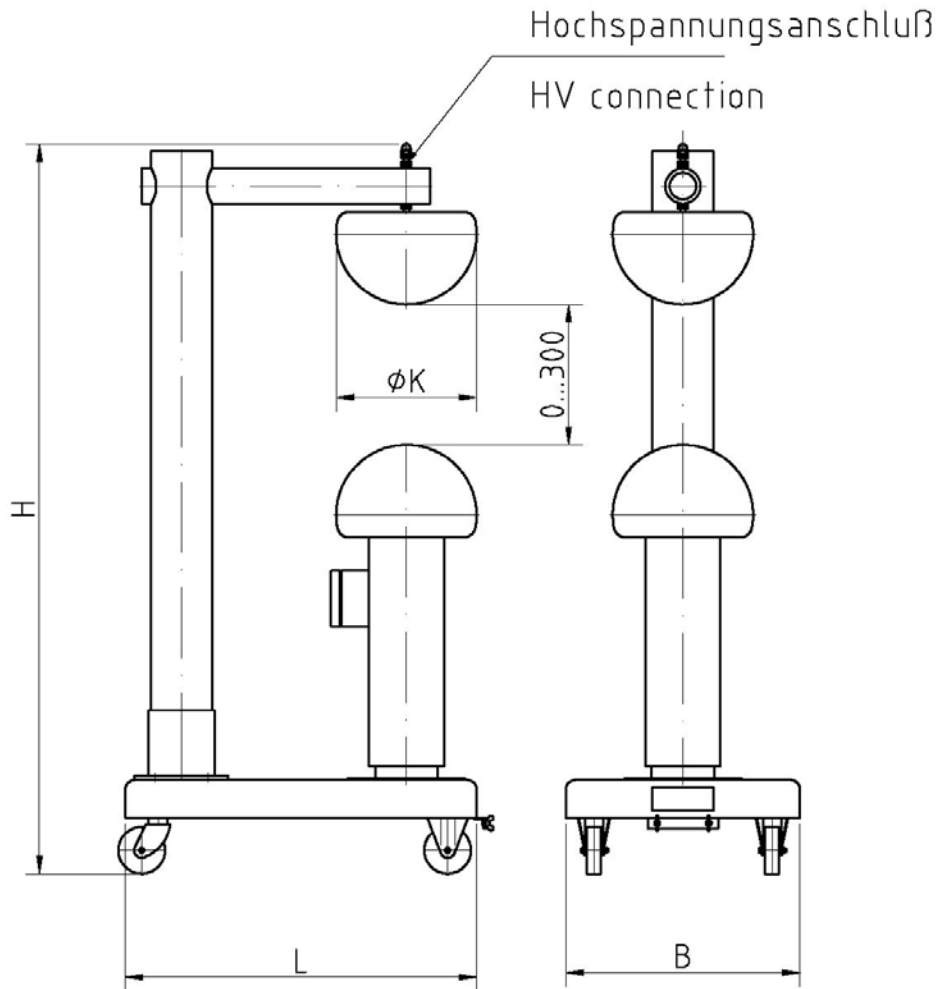


Figure 1: Dimensional drawing of chopping spark gap

### Type designation

AFS a/b

a = diameter of electrodes in mm

b = rated voltage in kV