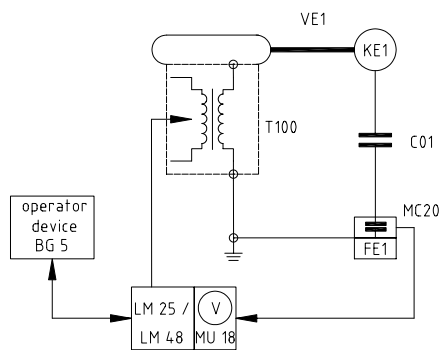


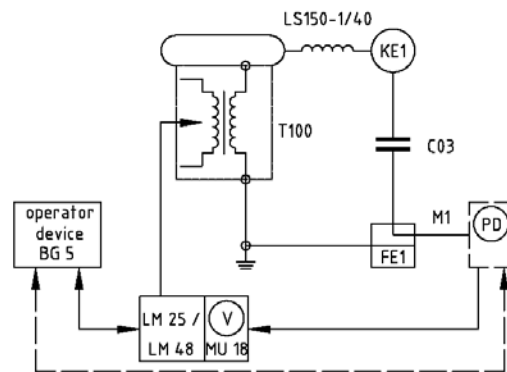
Data Sheet no. 4.0-1/8

## Versions of AC Module Systems

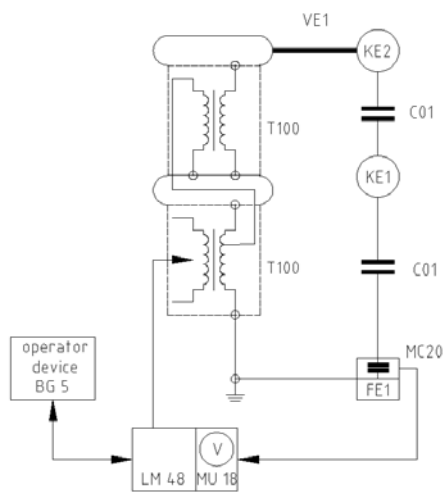
### Arrangement of Modules:



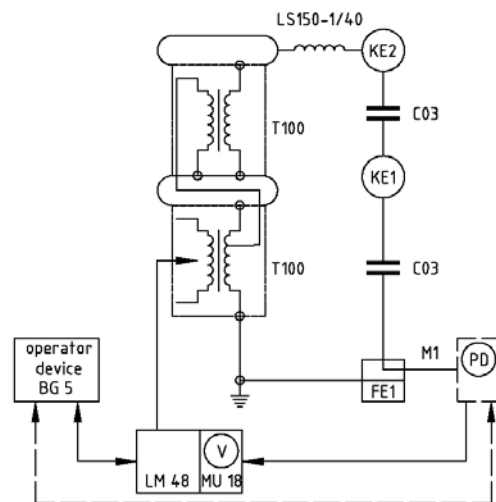
**WBS 5,8/100; WBS 11/100**



**WBS 5,8/100TE; WBS 11/100TE**



**WBS 11/200**



**WBS 11/200TE**

### Technical Data:

Type code	Rated Voltage kV 50/60 Hz	Rated Power kVA	Rated Current mA	PD-Intensity pC
WBS 5,8/100	100	5,8 (continuous)	54	≤ 2
WBS 5,8/100 TE	100	5,8 (continuous)	46	≤ 2
WBS 11/100	100	11 (1 h ON / 23 h OFF)	106	≤ 2
WBS 11/100 TE	100	11 (1 h ON / 23 h OFF)	98	≤ 2
WBS 11/200	200	11 (1 h ON / 23 h OFF)	50	≤ 2
WBS 11/200 TE	200	11 (1 h ON / 23 h OFF)	43	≤ 2

General climatic conditions: temperature 5 to 40°C, relative humidity ≤ 90 % at altitude ≤ 1000 m, indoor operation

## Number of Modules for Standard Systems:

			WBS					
Module		Data sheet	5,8/100	5,8/100 TE <sup>1)</sup>	11/100	11/100 TE1)	11/200	11/200 TE1)
Basic control including Operator device (BG 5M)	BC 5M	1.52 4.23	1	1	1	1	1	1
Power module including Peak Voltmeter (MU18)	LM 25	4.26	1	1				
	LM 48	4.26			1	1	1	1
LV measuring branch	MC 20	4.27	1		1		1	
Measuring connection	M 1	4.27		1		1		1
Test transformer	T 100	4.5	1	1	1	1	2	2
Capacitor	C 03	4.6		1		1		2
Capacitor	C 01	4.6	1		1		2	
Blocking impedance	LS 150-1/40	1.35		1		1		1
Connecting element	VE 1	4.9	1		1		1	
Junction element	KE 1	4.10	1	1	1	1	1	1
	KE 2	4.10					1	1
Base element	FE 1	4.10	1	1	1	1	1	1
Discharging rod	ES 1	4.11	1	1	1	1		
Discharging rod	ES 2	4.11					1	1

### Options:

Breakdown detection unit	BDC 1	1.57	
Secondary current measurement	MI 11 W	1.58	
Manual control and power module	SG 25	4.24	alternative to basic control (BC 5M) and power module (LM 25)
Peak voltmeter	MU 17	5.56	in version with SG 25 or at separate order
Computer control	CMS 22M	1.52	IPC and BG 6
	CMS 23M	1.52	Advanced computer control (IPC and BG 5M)
Operator Rack	OR 130 OR 170	7.31	for housing of operator device, IPC and measuring devices delivered as plug in unit
Discharging device	EE 150	4.11	
Compressed gas capacitor	MCP 100	4.6	at separate order
Storage trolley	LW	4.10	

1) The PD-measuring device must be ordered separately.

For further information please contact:

or our local representative:

**HIGHVOLT Prüftechnik Dresden GmbH**  
Marie-Curie-Strasse 10

**D-01139 Dresden / Germany**

Tel. +49 351 8425 648  
Fax +49 351 8425 679  
e-mail [dresden@highvolt.de](mailto:dresden@highvolt.de)  
webseite <http://www.highvolt.de>