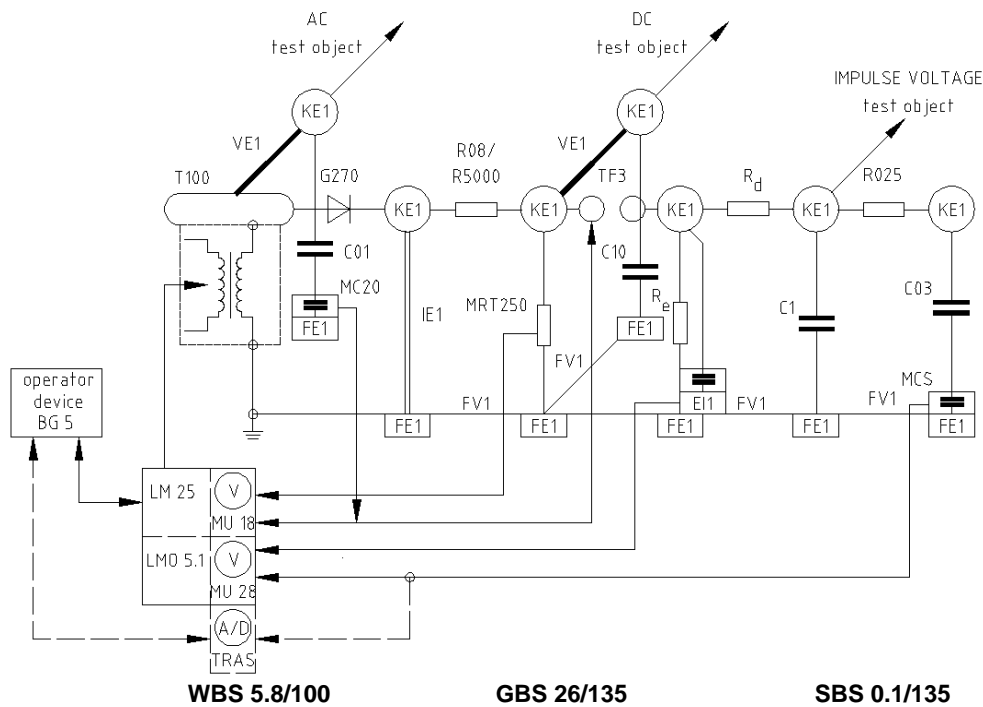


Data Sheet no. 4.0-8/9

Standard Variations of AC, DC and Impulse Voltage Module Systems

Arrangement of Modules



Technical Data

Parameters	Type code	WGSBS 5.8/100-135-135		
		WBS 5.8/100	GBS 26/135	SBS 0.1/135
Rated voltage (50/60 Hz)	kV	100	-	-
Rated power	kVA	5.8	-	-
Rated current (AC) (continuous)	mA	54	-	-
Rated voltage (DC)	kV	-	135	-
Rated current (DC) (continuous)	mA	-	26	-
Rated charging voltage	kV	-	-	135
Rated impulse energy	kJ	-	-	0.1
Lightning impulse voltage (1.2/50)	kV	-	-	110
max. load (1.2/50)	nF	-	-	0.9
Delay time for impulse 1.2/50	μs	-	-	1
Switching impulse voltage (250/2500)	kV	-	-	100
max. load nF (250/2500)	nF	-	-	0.7
Delay time for impulse 250/2500	μs	-	-	100
Data Sheet for detailed system information		4.0-1	4.0-2	4.0-4

General climatic conditions: temperature 5 to 40 °C, relative humidity ≤ 90 % at altitude ≤ 1000 m, indoor operation

Number of Modules for Standard Type

			WGSBS 5.8/100-135-135
Module		Data Sheet	
Basic control including operator device (BG 5M)	BC 5M	1.52 4.23	1
Power module including Peak voltmeter (MU 18)	LM 25	4.26	1
Impulse voltage extension	LMO 5.1	4.5	1
Test transformer	T 100	4.5	1
Capacitor	C 01	4.6	1
Capacitor	C 03	4.6	1
Capacitor	C 1	4.6	1
Capacitor	C 10	4.6	1
LV measuring branch	MC 20	4.27	1
Rectifier	G 270	4.7	1
Resistor Rd 1.2/50	R 03	4.8	1
Rd 250/2500	R 45	4.8	1
Re 1.5/50	R 6	4.8	1
Re 250/2500	R 280	4.8	1
Resistor	R 025	4.8	1
Resistor	R 08	4.8	1
Charging resistor	R 5000	4.8	1
Resistive divider	MRT 250	4.8	1
Connecting element	VE 1	4.9	2
Isolation element	IE 1	4.9	1
Junction element	KE 1	4.10	7
Base element	FE 1	4.10	7
Base connecting element	FV 1	4.10	4
Earthing rod	ES 1	4.11	1
Earthing device	ERS 1	4.11	1
LV measuring branch	MCS	4.27	1
Impulse registration with coupling capacitor	EI 1	4.27	1
Trigger spark gap	TF 3	4.13	1

Options

Secondary current measurement	MI 11W MI 11G	1.58 2.58	
Impulse voltage measurement	MU 28	5.57	
Digital Impulse Analyzer	MIAS	5.60	alternative to MU 28
Computer control	CMS 22M	1.52	IPC and BG 6
	CMS 23M	1.52	Advanced computer control (IPC and BG 5M)
Operator Rack	OR 130 OR 170	7.31	for housing of operator device, IPC and measuring devices delivered as plug in unit
Switchable connection	VES	4.9	alternative to connecting element VE 1
Discharging device	ERE 150	4.11	at separate order
Storage trolley	LW	4.10	

For further information please contact:

HIGHVOLT Prüftechnik Dresden GmbH
 Marie-Curie-Strasse 10
D-01139 Dresden / Germany
 Tel. +49 351 8425-648
 Fax +49 351 8425-679
 e-mail dresden@highvolt.de
 website http://www.highvolt.de

or our local representative: