

Data Sheet no. 4.27/1

LV Measuring Branch, Measuring Connection, Impulse Registration

Description: LV Measuring branches

The LV measuring branch extends measuring capacitors or measuring resistors to a capacitive or resistive HV divider. It is arranged at the base element and directly connected by a 10 m coaxial measuring cable to the Peak Voltmeter

type MU 17/18 (catalogue sheet 5.56). The LV measuring branch MCS is assigned for impulse voltage measurement and is arranged directly at the base element of the measuring capacitor.

Technical Data:

type code		MC 20	MC 47	MR 1.5	MCS
voltage shape		AC 50/60 Hz	AC 50/60 Hz	DC	Impulse
for dividers of rated voltage	kV	≤ 200	≤ 200	≤ 350	≤ 135
dimensions (w x h x d)	mm	130x60x115	130x60x115	130x60x115	136x133x110
weight	kg	1	1	1	

Dimensional drawing:

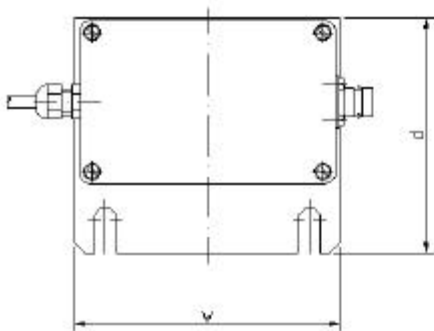


Fig. 1: MC 20/47

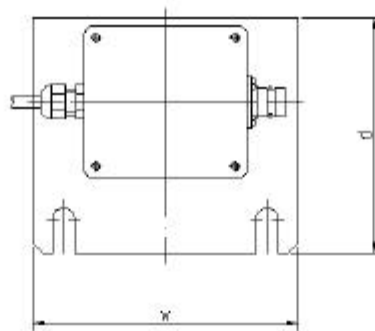


Fig. 2: MR 1.5

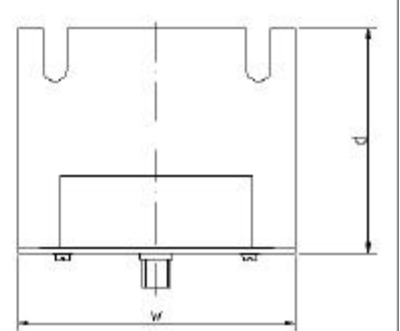


Fig. 3: MCS

Description: Measuring connection module

The measuring connection module M 1 connects the PD measuring impedance to the coupling capacitor. It comprises of an over voltage arrester and a spark gap and is mounted on the base element FE or the HV testing cubicle HPS. The accessories include a 10 m measuring

cable, an insulating bush, which is screwed into the base element FE or the HV testing cubicle HPS, instead of the standard metal bush. The current measuring shunt MR 0.003 is used for measurement of the current in the high voltage circuit.

Description: Impulse registration module

The impulse registration module EI 1 is used for impulse voltage module systems. It comprises the impulse registration and a fiber optic transmitter to transmit the signal to the control

module. The impulse registration module EI 1 is mounted on the base element of the discharging resistor. A high voltage capacitor connects the module to the high voltage.

Technical Data:

type code		M 1	MR 0.003	EI 1
dimensions (w x h x d)	mm	130x115x60	130x115x60	233x558x75
weight	kg	1	1	3

Dimensional drawing:

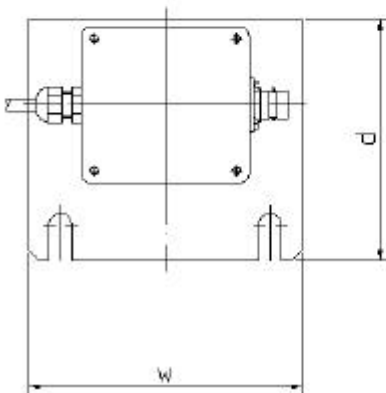


Fig. 4: M 1 / MR 0.003

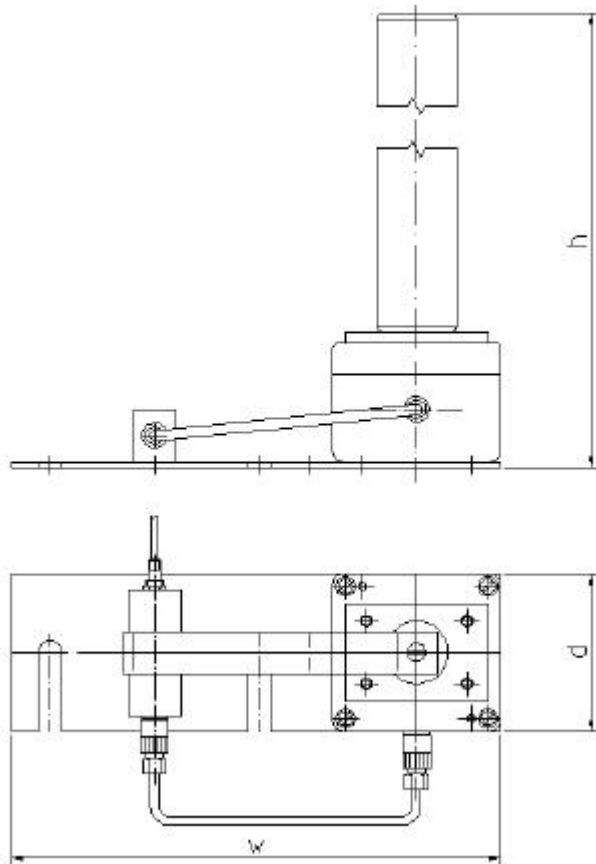


Fig. 5: EI 1