

Data Sheet 7.71/4

Oil-Insulated Cable Termination, Type EKP

Design

The oil-insulated cable termination serves for HV withstand and partial-discharge (PD) testing of plastic-insulated medium voltage cables both single-core and three-core cables.

One oil-insulated cable termination consists of one oil cup termination and two adapters. The purpose of the adapters is to connect the cable conductor with the inner HV electrode of the oil cup (range of conductor cross section: 35 mm² to 2000 mm²).

The oil-insulated cable terminations are designed for indoor use and movable application within the test field. Usually two cable terminations are required for cable testing systems.

Table 1: Operating conditions

Temperature range	°C	5 ... 40
Relative humidity	%	≤ 90
Height above sea level	m	≤ 1000

Table 2: Standard climatic conditions of the external insulation

Temperature	°C	20
Absolute pressure	hPa	1013
Absolute humidity	g/m ³	11

Table 3: Main parameters

Type	Rated voltage kV	PD level				Cooling and insulating medium standard transformer oil l
		at 30 kV pC	at 50 kV pC	at 75 kV pC	at 100 kV pC	
EKP 75	75	≤ 1	≤ 2	≤ 5	-	28
EKP 100	100	≤ 1	≤ 2	≤ 2	≤ 5 ¹⁾	35

¹⁾ for 35 mm² to 200 mm² conductor cross section only

Table 4: Dimensions (approx.)

Type	Angle of termination	Peeling length of insulation	Length x Width x Height L x B x H	Total weight (without oil)
	°	mm	mm	kg
EKP 75	45	1000	1280 x 1200 x 1540	55
EKP 100	45	1300	1400 x 1460 x 1715	87

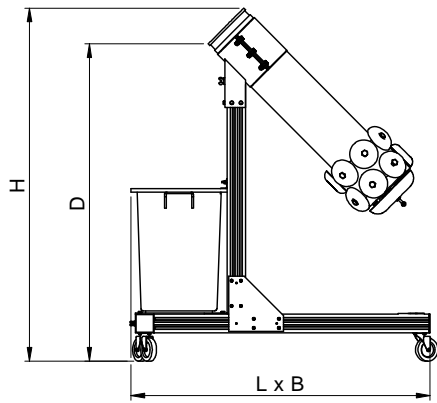


Figure 1: Schematic sketch of oil-insulated cable termination

Type designation

EKP a

a = rated voltage in kV