

Data Sheet 7.93/12

Cable Termination, Type CET

Cable terminations were developed to fulfill the different demands for testing medium-voltage (MV) and high-voltage cables.

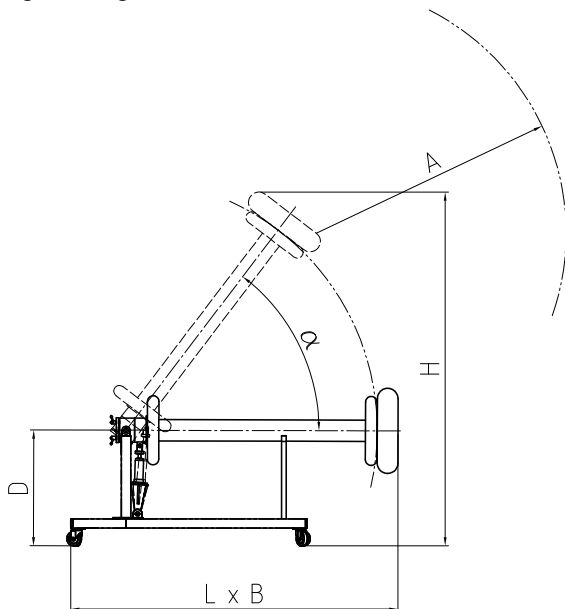


Figure 1: Overview of the design for water-controlled cable termination

Special features:

- sealed water circulating system with automatic conductivity control ($\pm 0.01 \mu\text{S}/\text{cm}$)
- easy lifting and lowering of the tubes for preparing and performing the tests
- cable is mounted from the bottom into the cable termination
- quick fastener for water hoses, which connect cable terminations and water conditioning unit
- fast locking system on both tube ends shortens mounting time
- optionally equipped with motor drive
- condensation of cable terminations during operation is avoided by automatic temperature control of external cooling system

Table 1: Operating conditions

Temperature range	°C	5 ... 40
Relative humidity	%	≤ 90
Height above sea level	m	≤ 1000

Table 2: Standard climatic conditions of the external insulation

Temperature	°C	20
Absolute pressure	hPa	1013
Absolute humidity	g/m ³	11

Table 3: Technical Data

Type	Rated voltage 50/60 Hz	LI 1.2/50µs (positive)	PD level	Cable diameter ¹⁾	Angle α	Safety clearance A	Length L	Width B	Max. height H	Cable installation height D	Weight ²⁾ (approx.)
	kV	kV	pC	mm	°	mm	mm	mm	mm	mm	kg
CET 100/120	100	250	≤ 1	30 ... 120	45	600	1650	800	2110	1000	130
CET 150/120	150	500	≤ 1	30 ... 120	30	1000	2075	950	2440	1000	140
CET 200/120	200	600	≤ 1	30 ... 120	35	1200	2260	1030	2600	1000	150
CET 250/120	250	700	≤ 1	30 ... 120	35	1400	2500	1050	2740	1000	160
CET 300/120	300	800	≤ 1	30 ... 120	35	1600	2670	1050	2900	1000	160
CET 350/120	350	850	≤ 1	30 ... 120	35	1700	2940	1160	3150	1000	170
CET 350/160	350	850	≤ 1	55 ... 160	35	1700	3005	1310	3360	1400	231
CET 400/120	400	950	≤ 2	30 ... 120	35	1900	3270	1310	3550	1400	219
CET 400/160	400	950	≤ 2	55 ... 160	35	1900	3270	1310	3645	1400	237
CET 500/120	500	1200	≤ 2	30 ... 120	40	2400	3620	1310	3900	1400	260
CET 500/160	500	1200	≤ 2	55 ... 160	40	2400	3800	1400	4100	1400	260
CET 600/120 E	600	1400	≤ 2	30 ... 120	40	2800	4525	2220	4710	1400	600
CET 600/160 E	600	1400	≤ 2	55 ... 160	40	2800	4525	2220	4710	1400	620
CET 700/120 E	700	1650	≤ 2	30 ... 120	45	3300	4925	2220	5000	1400	620
CET 700/160 E	700	1650	≤ 2	55 ... 160	45	3300	4925	2220	5000	1400	640
CET 800/160 E	800	1900	≤ 2	55 ... 160	40	3800	5600	2220	5625	1400	720

¹⁾ diameter across outer semi-conducting layer

²⁾ weight of one unit without water and without conditioning unit

Type designation

CET a/b EG

a = rated voltage in kV

b = max. cable diameter in mm

E = motor drive (optionally for types < 600 kV)

G = guard ring electrode (optionally)